

25kV	200A Loadbreak Bushing Insert	2701A4
------	-------------------------------	--------



Features:

- 25kV, 200 Amp Loadbreak Rated
- Blue PBT interface shield reduces sticking
- Blue PBT Interface Shield provides a seating indicator
- Blue PBT Interface Shield indicates 25kV class
- Vent prevents partial vacuum flashover
- Includes hex-broach for torque installation
- Peroxide-cured insulation and jacket
- Provision for ground wire connection

2701A4 Loadbreak Bushing Insert

Applications:

The Elastimold® 2701A4 bushing insert is fully rated with a 25kV class, 200 Amp load break bushing interface. The load break bushing insert fits a standard ANSI bushing well interface and becomes the apparatus bushing interface for elbow connections. It may be used as the bushing interface for connecting shielded cable to the following:

- Sub-surface transformers
- Generators
- Pad mounted transformers
- Regulators
- Switchgear
- Reclosers

Designed for use as an apparatus bushing interface, the 2701A4 is easily installed in an Elastimold® universal bushing well and mated with an appropriate Elastimold® product.

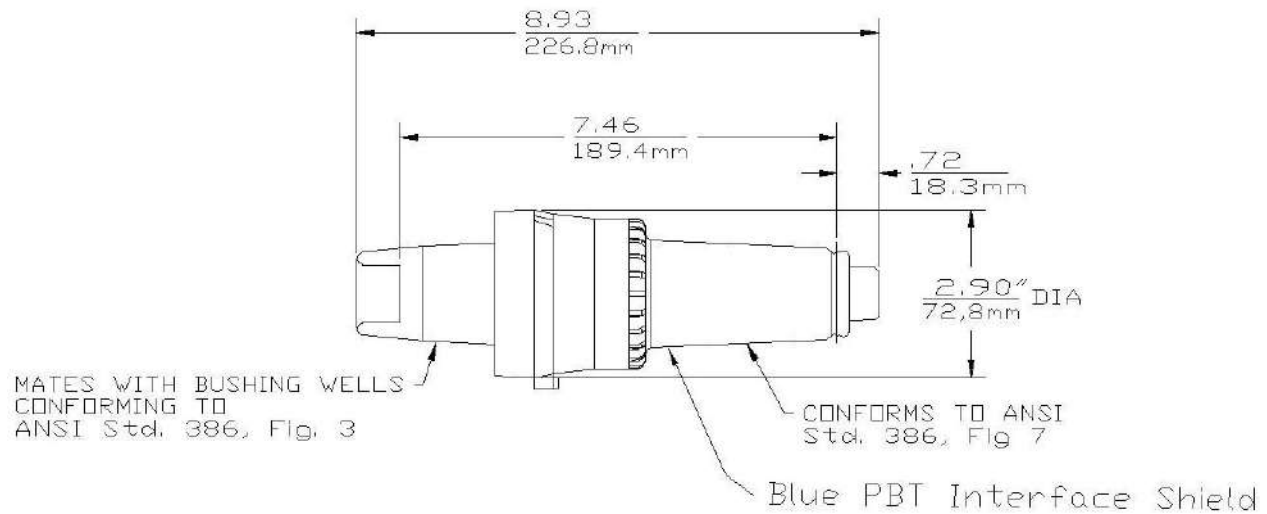
Ratings:

Meets ANSI/IEEE Standard 386, Latest Revision

For 25kV Voltage Class:

15.2kV Max Phase-to-Ground – Operating Voltage
 26.3kV Max Phase-to-Phase
 125kV BIL – Impulse Withstand (1.2 x 50 microsecond wave)
 40kV AC – One minute withstand
 78kV DC – 15 minutes withstand
 19kV AC – Corona Extinction @ 3pC sensitivity
 200 Amp – Continuous and Loadbreak
 10kA Sym – 10 Cycles Momentary & Fault Close

25kV	200A Loadbreak Bushing Insert	2701A4
------	-------------------------------	--------



Ordering Instructions:

To order, specify number **2701A4** bushing insert.

Each kit contains the following:

1	Bushing Insert	2701A4
1	Protective shipping cap	2701-41
1	Lubricant	82-08
1	Installation Instruction	IS-1162

Notes:

- Includes internal torquing feature using 200AT Assembly Tool